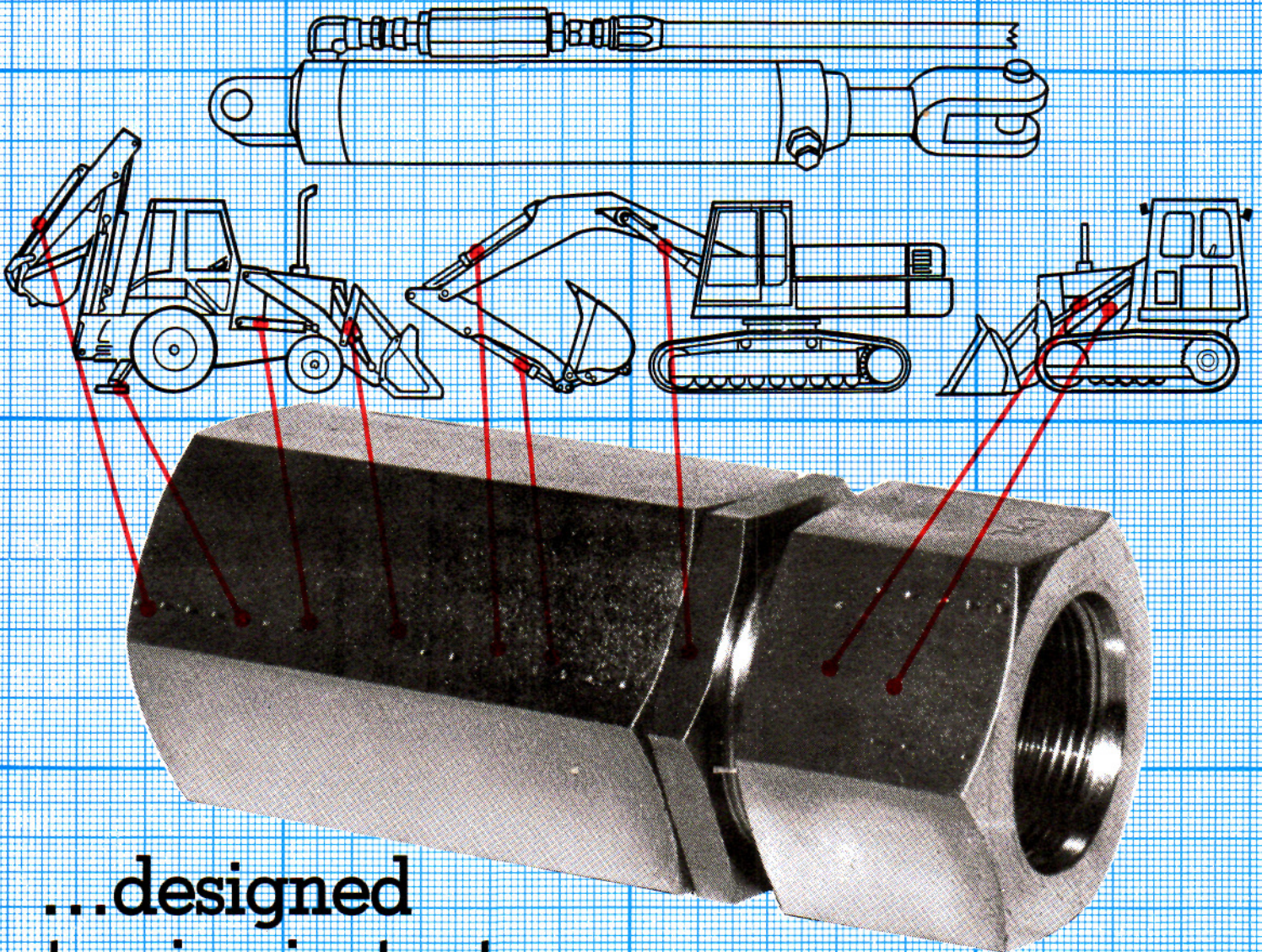


LOCARO

SAFETY VALVES COMPLETE THE DESIGN

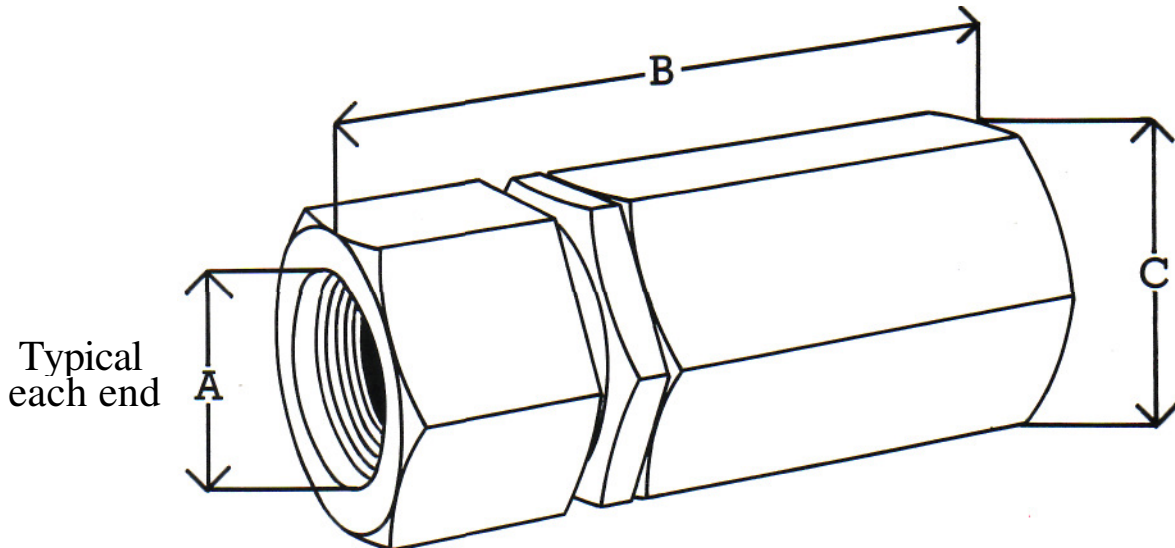


**...designed
to give instant
shut off on
hose or pipe
failure.**

Alcaro Hydraulic Services offer a complete range of safety valves designed specifically to modify standard hydraulic earth moving machine systems to craning applications.

Currently the 4 sizes produced cover flow rates of 80 - 1000 Litres per minute with a pressure rating to 350 bar, thus encompassing the range of excavator and backhoe machines in general usage throughout the industry.

SPECIFICATIONS: ALCARO HYDRAULIC SAFETY VALVE



		C	B	A
VF75	55 to 155 lpm	36	103	1 1/16" uno
VF100	100 to 330 lpm	54	145	1 5/16" uno
VF125	200 to 550 lpm	60	150	1 5/8" uno
VF150	400 to 1000	76	162	1 1/2" bspp

Mounted directly to the cylinder load bearing ports, the **Alcaro** safety fuse allows normal maximum system flow at minimum pressure drop, therefore full speed machine operation over normal design function is not curtailed.

In the event of hose failure the loaded implement will descend rapidly generating a greater than normal flow from the cylinder. The safety fuse automatically senses the excess flow and closes, isolating fluid in the cylinder and therefore arresting the movement until repairs have been affected.

All **Alcaro** Safety Fuses incorporate an internal relief valve to minimise internal shock which could result in structural damage to the machine or a ballooning of the cylinder barrel.

There are 2 series, VFE and VFI.

VFI series are only produced to cover smaller flows up to 300 litres per minute and are factory set and tamper proof.

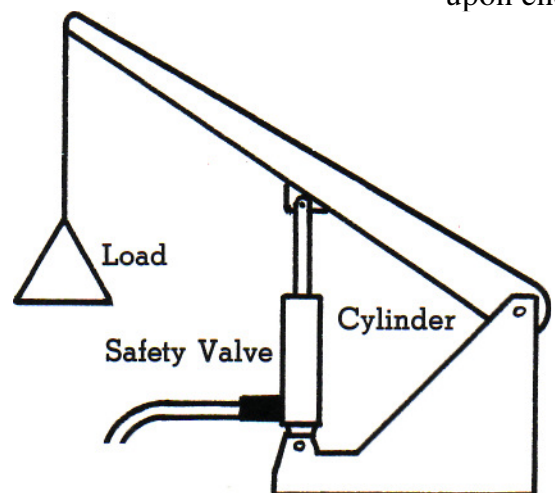
VFE series are produced to cover flows up to 1000 litres and are externally adjustable to the individual machine and load.

This is necessary owing to variation of circuitry employed in the larger machines and the difficulty in producing test flows necessary for factory setting.

The **Alcaro** range of safety valves are wholly designed and manufactured in Western Australia and are built conforming to requirements of Occupational Health Safety and Welfare regulations Section 405.

- All steel design.
- Pressure rating 5000 PSI.
- With built-in shock relief for cylinder protection.
- Will not restrict normal machine operation.
- No increase in diesel use
- No increase in heat
- No loss of float on loader buckets

- Typical Application
 - Designs for special applications available upon enquiry.



ALCARO

